

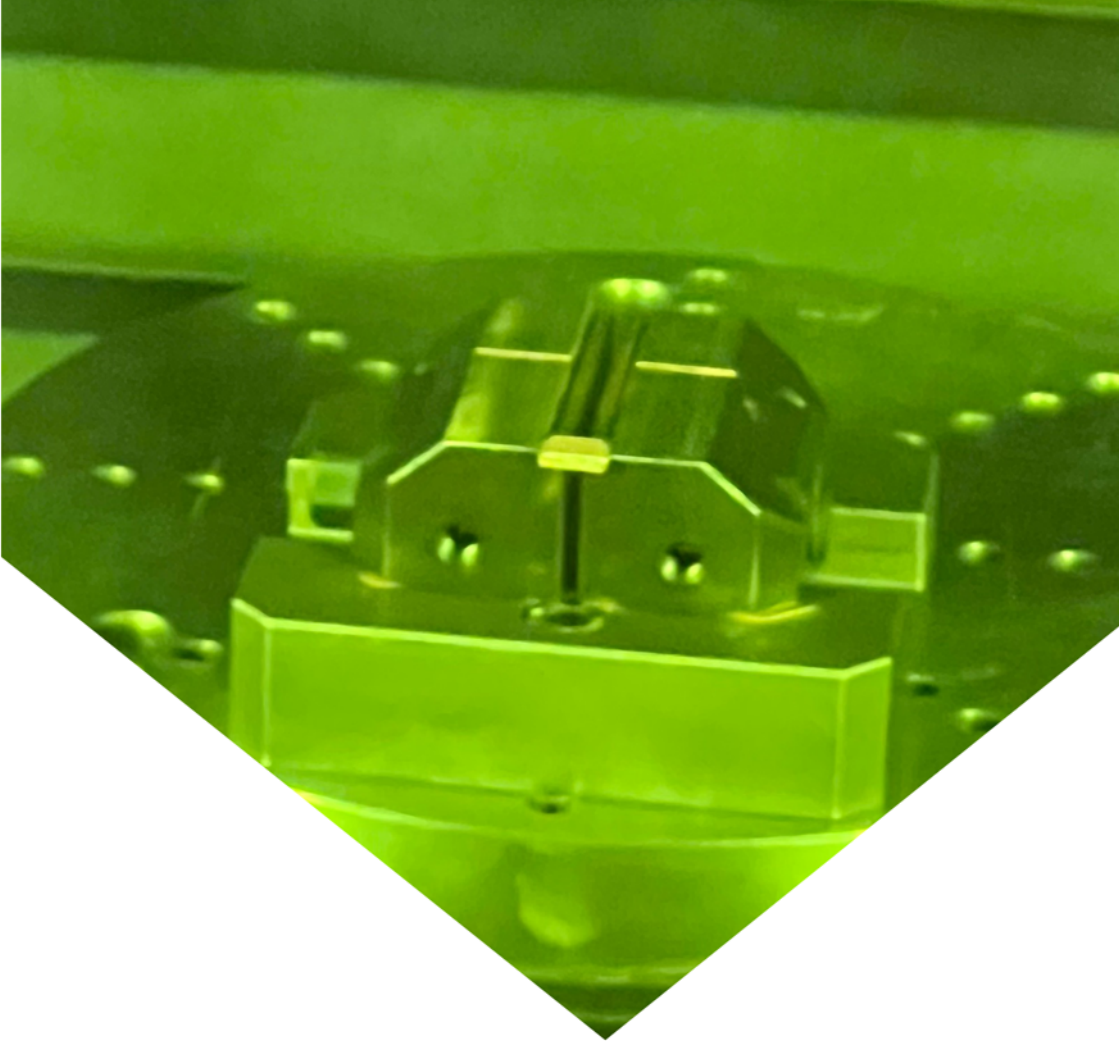
DG SOLUTIONS
CORPORATE PRESENTATION

ABOUT US

DG Solutions is a Czech company and leader in the field of high precision engineering and its R&D.

We are a young, dynamic and fast growing company headquartered in **Prague** with R&D Centers in **Brno** and **Ostrava**.





WHAT WE DO

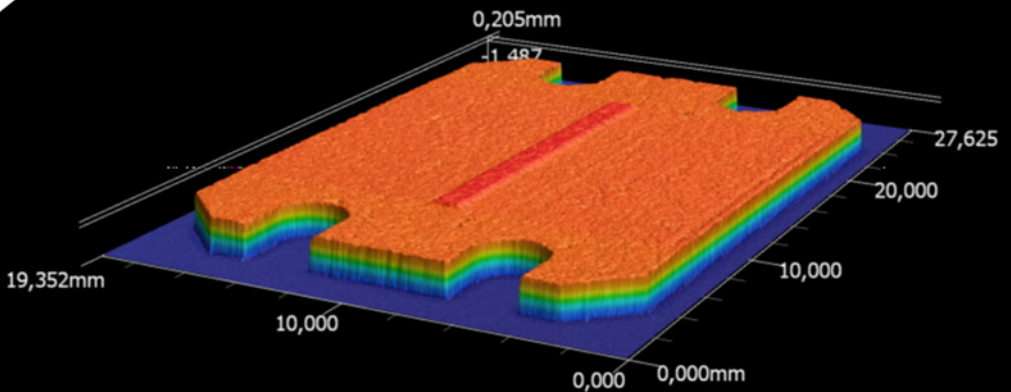
We focus on machining and processing of advanced materials, such as:

- **Metal matrix composite materials** (incl. molybdenum-copper and diamond-copper),
- **Industrial ceramics** (AlSiC, SiC)
- **Single crystal** and **high tempered glass**.

APPLICATION

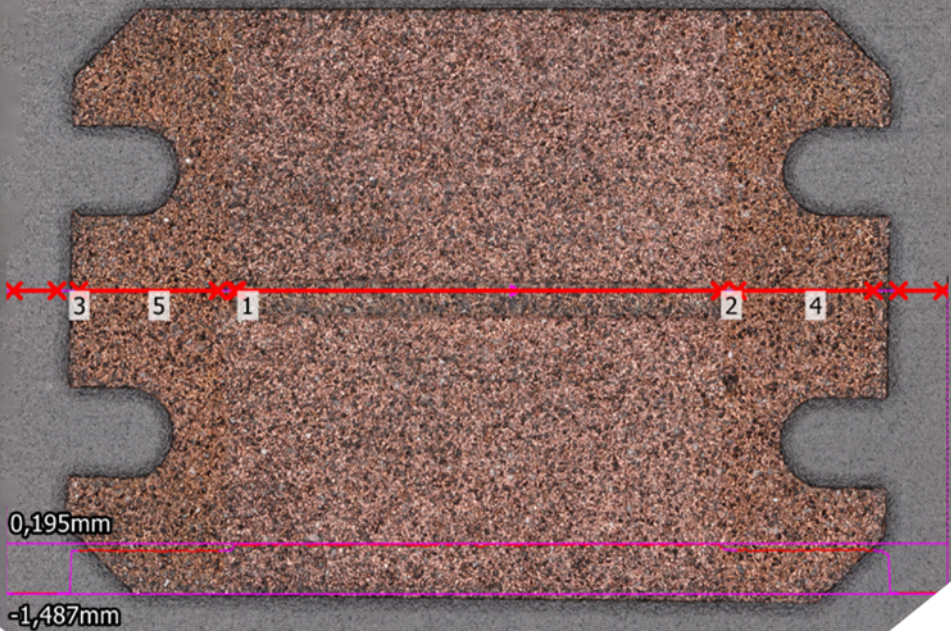
Across industries and markets

- **Telecommunication industry**
- **Semiconductors**
- **Automotive** (EVs)
- **Energy, Medical, etc.**



SAMPLE DIAMOND COPPER

ACTUAL SAMPLE DEVELOPED BY DG SOLUTIONS IN 2023



SAMPLE DIAMOND COPPER

ACTUAL SAMPLE DEVELOPED
BY DG SOLUTIONS IN 2023

TELECOMMUNICATION INDUSTRY

Significant improvements in heat management of **high performance chips** with heat spreaders from **advanced materials**.

AUTOMOTIVE INDUSTRY

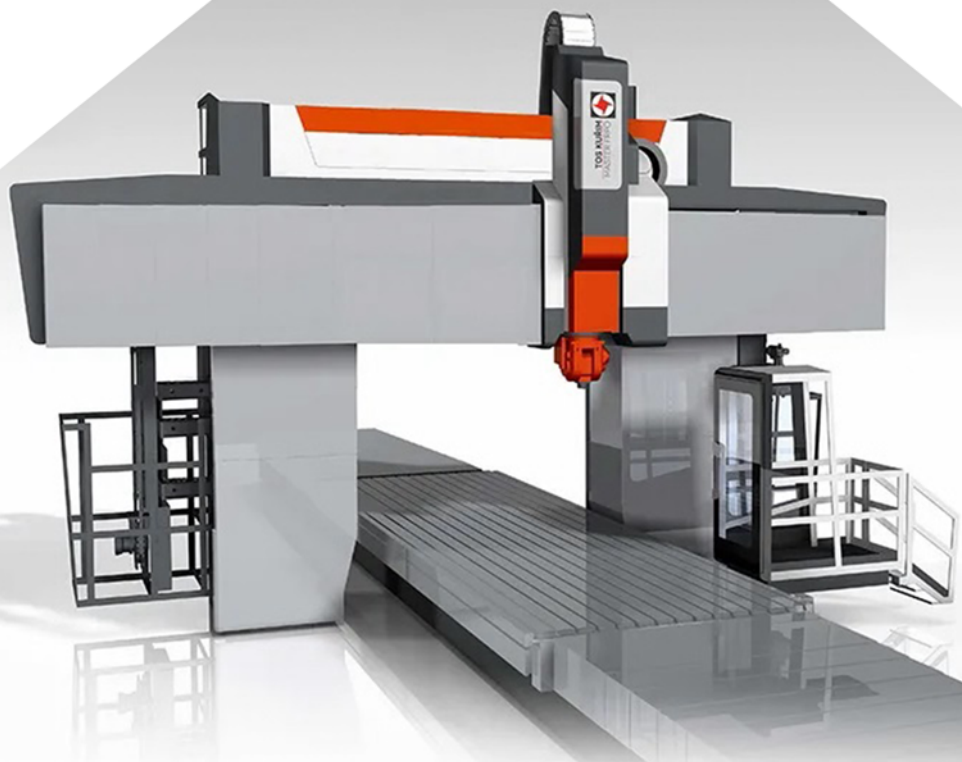
Heat and Power management solution mainly for EVs
Other, such as displays, etc.

REFERENCES

TOP tier international **Telco** companies

Global automotive companies

Academic institutions





SUMMARY

We have the capacity to prepare samples based on client drawings.

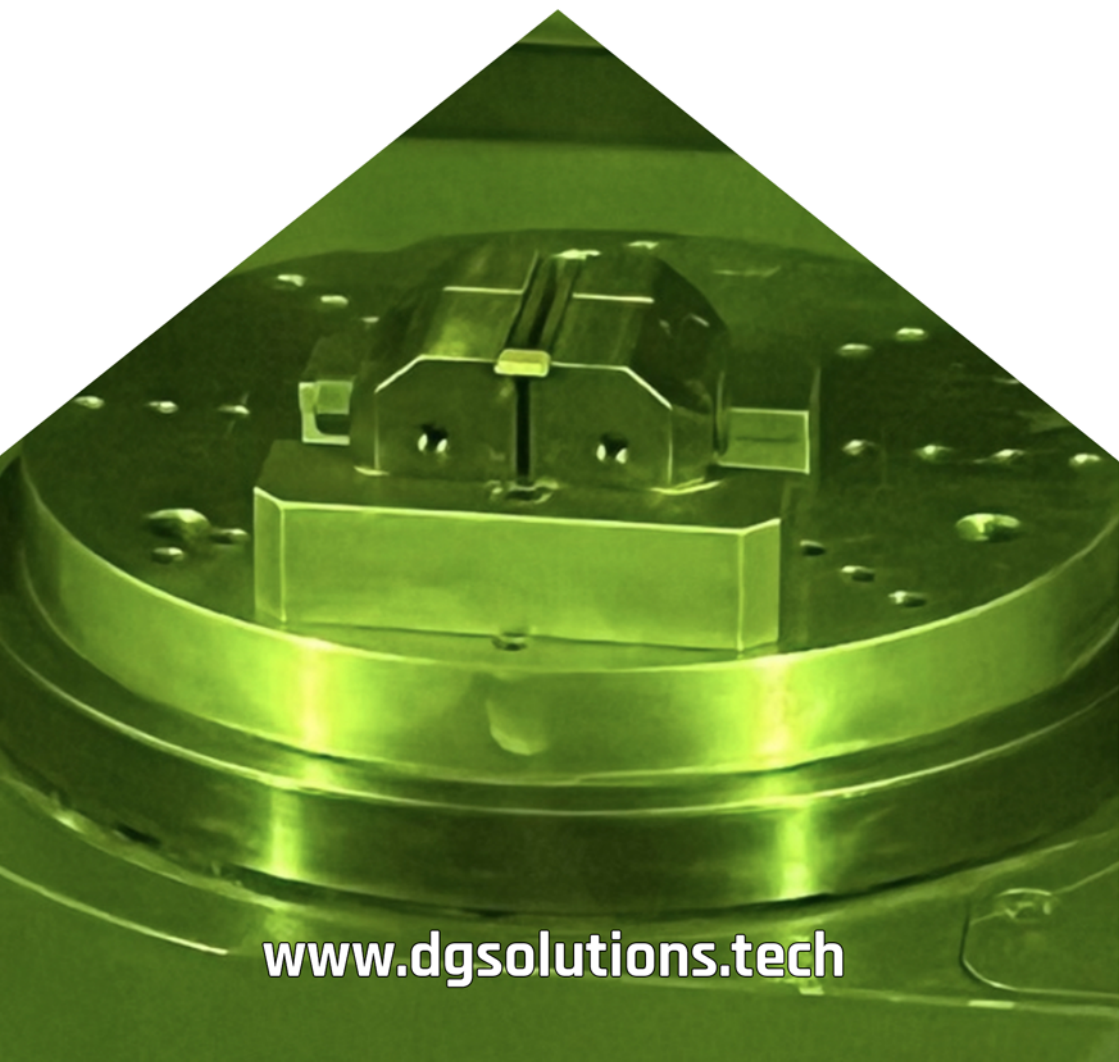
Our **solutions are tailored to specific client needs** in terms of shape, finishing and capacity requirements.

We can provide required material.

DG Solutions a.s.

VÁCLAVSKÉ NÁMĚSTÍ 47
NOVÉ MĚSTO
PRAHA 1, 110 00
CZECH REPUBLIC

info@dgsolutions.tech



www.dgsolutions.tech